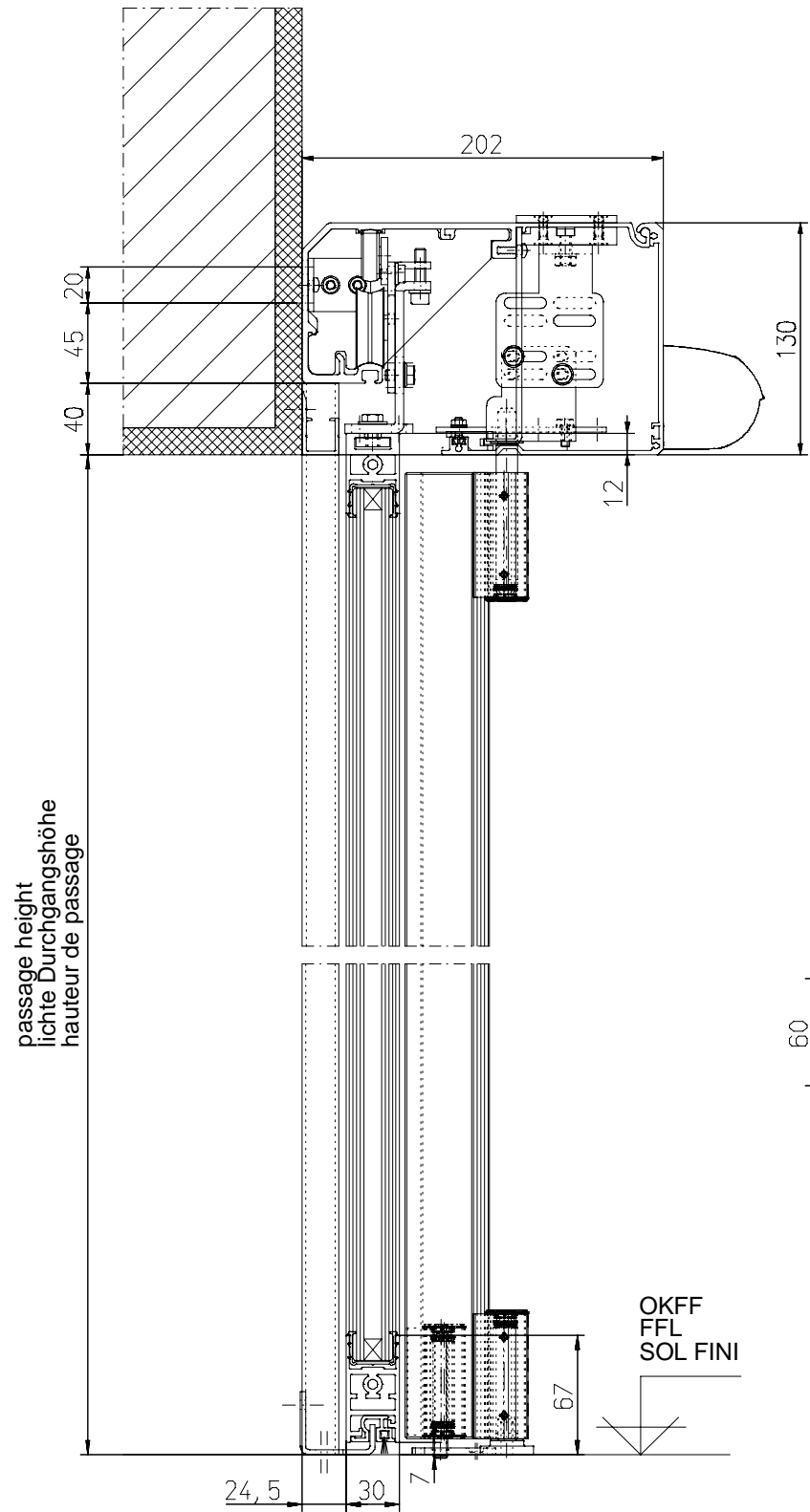
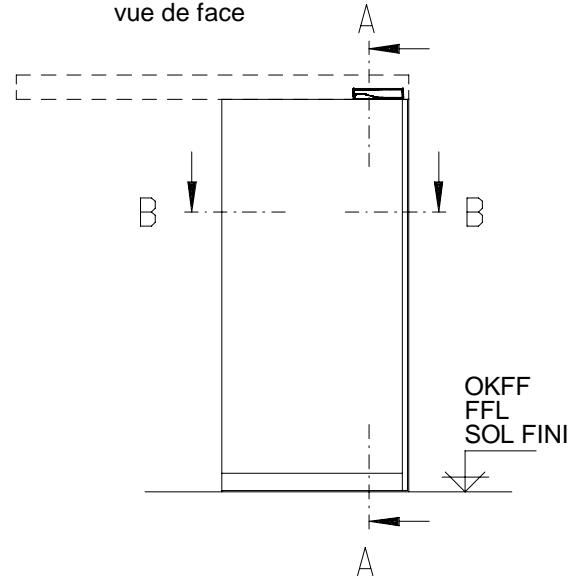


A - A



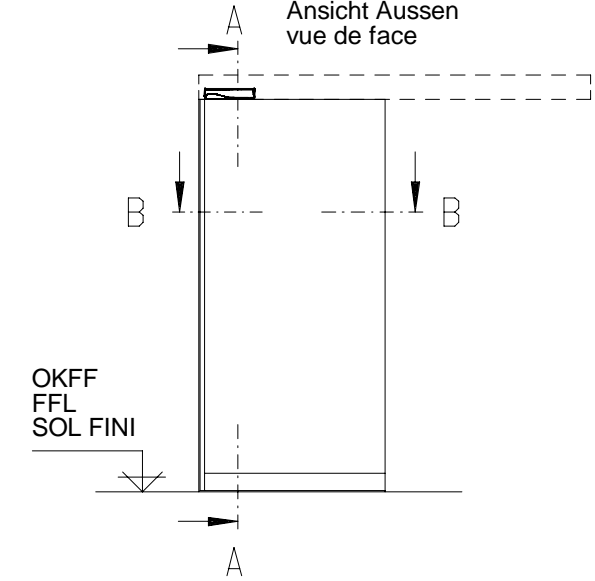
DIN rechts / rechts öffnend

front view
Ansicht Aussen
vue de face



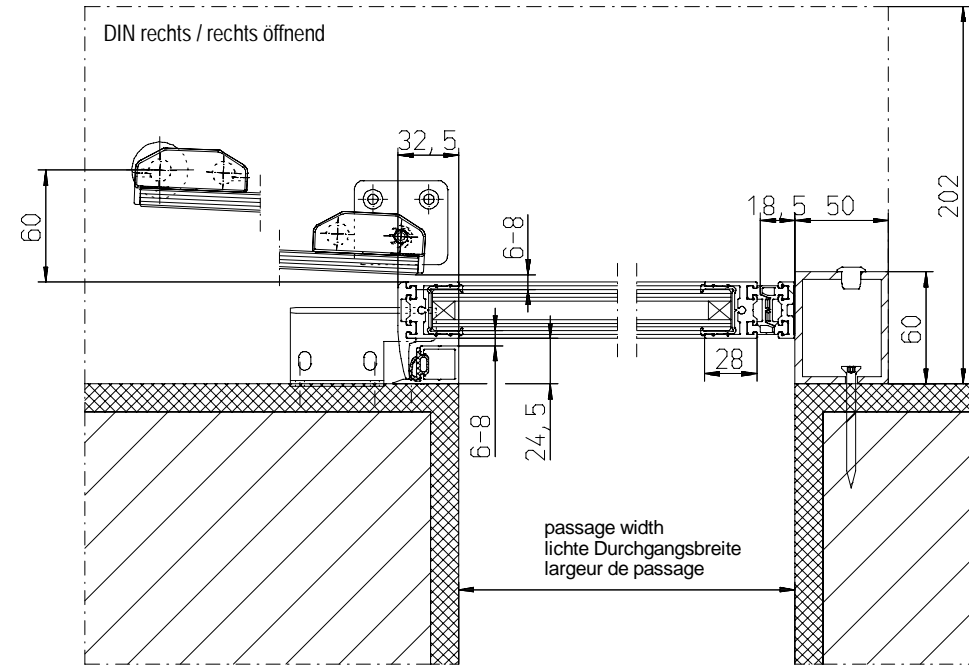
DIN links / links öffnend

front view
Ansicht Aussen
vue de face



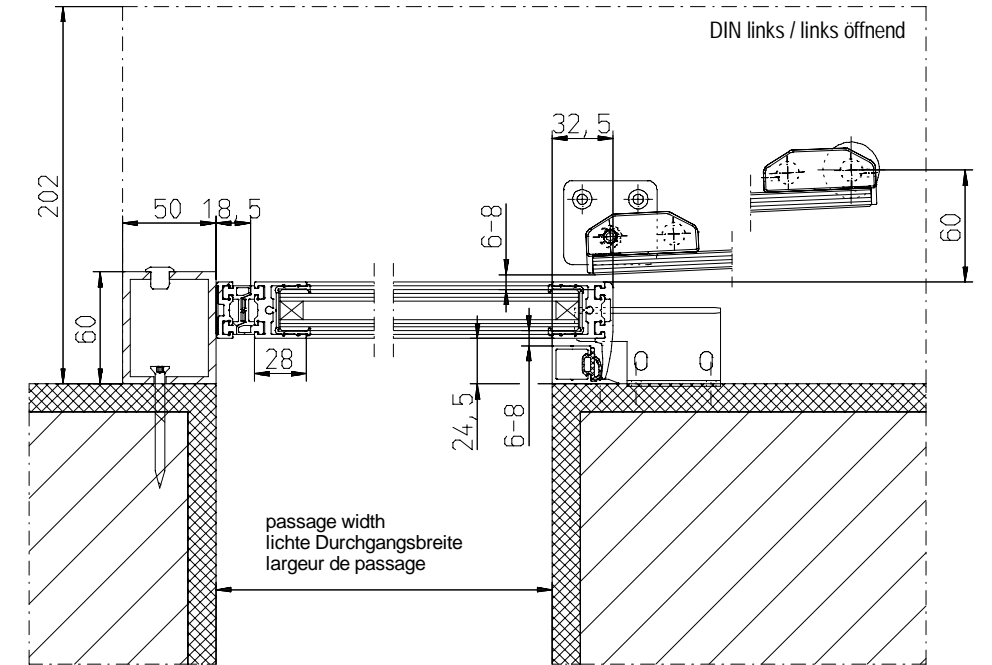
B - B

cover / Antriebsverkleidung / capot



B - B

cover / Antriebsverkleidung / capot



Surface treatment	Material	Scale		
Tolerance	Mass Weight (kg)	Part No.	Date	Version
		EM/EMF-MW-SFEM	17.06.2020	1.00
Type	Norm	Release form	Release by	
Proprietary rights apply in accordance with ISO 10076				
GU GU Automotive GmbH www.gu-automotive.com	Description -Profilsystem G30- 1-flügelig -Profile system G30- 1 daar leaf	Level	Revised	Date
	Drawing No. A-9902110	Sheet	1	