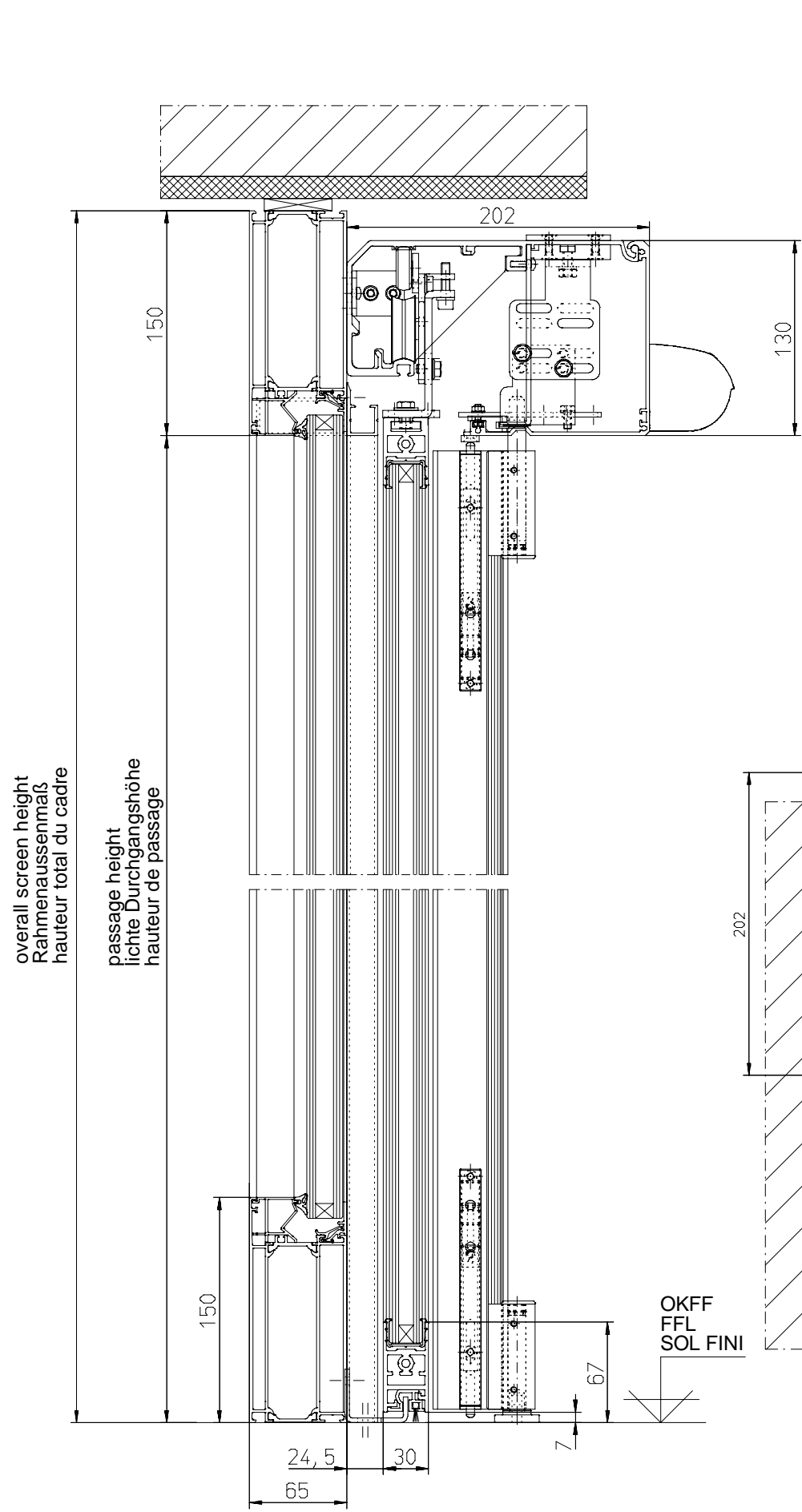


A - A

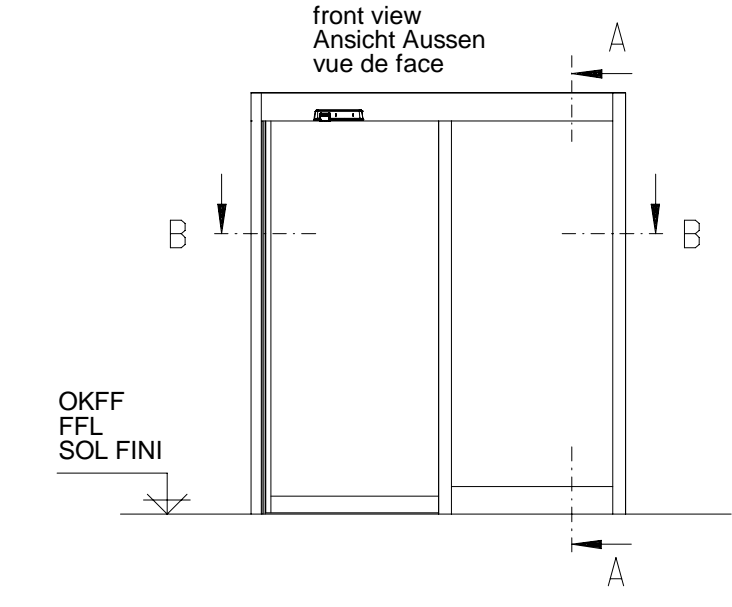
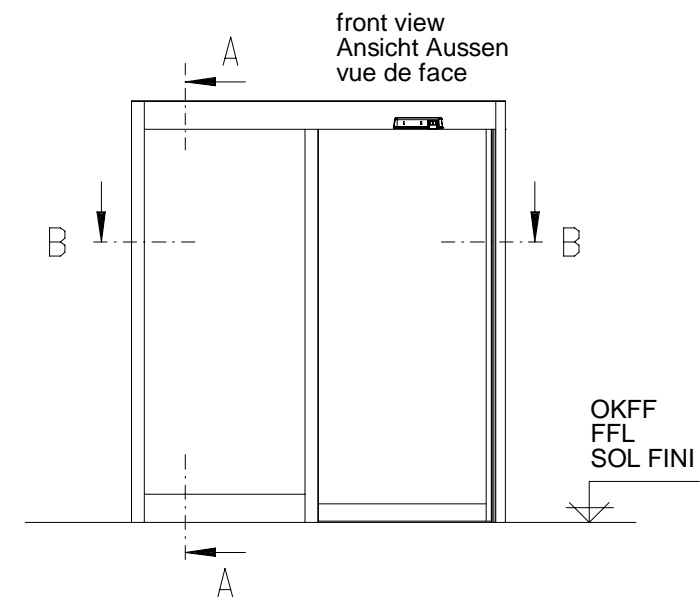
DIN rechts / rechts öffnend

DIN links / links öffnend



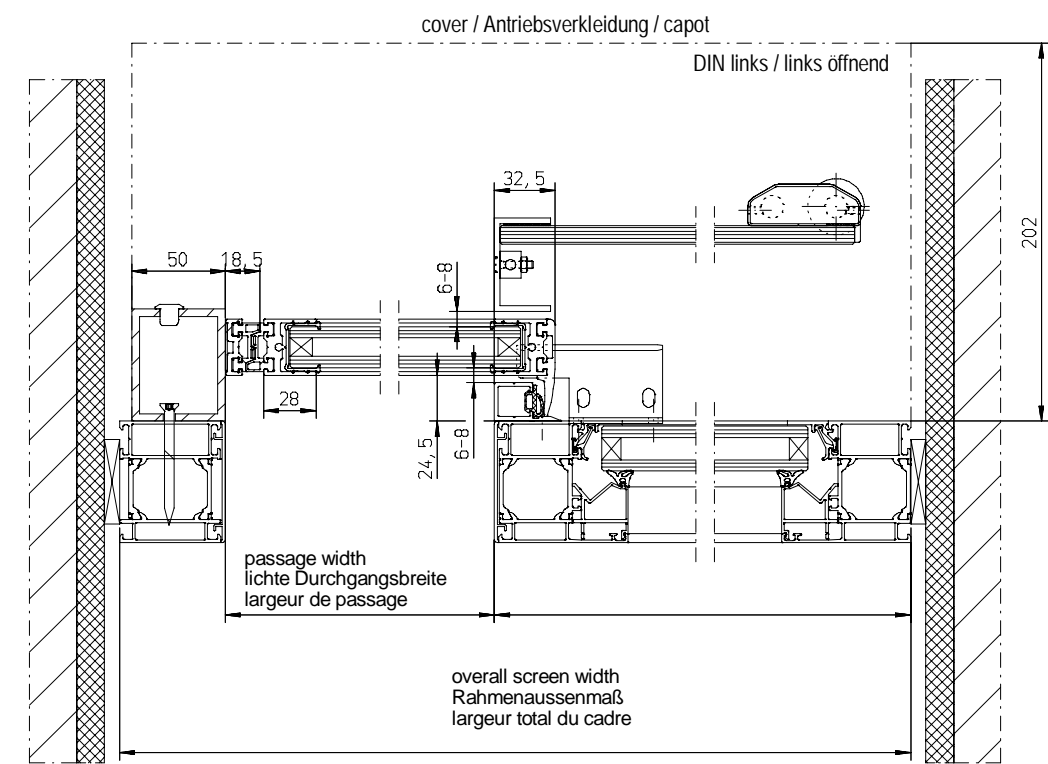
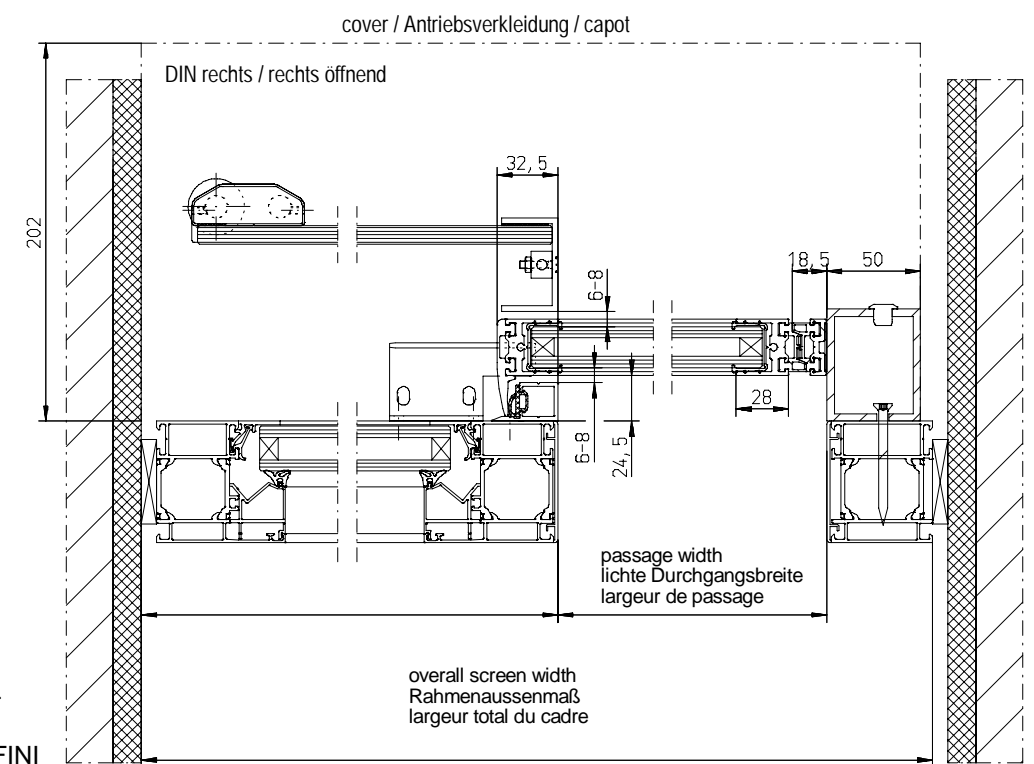
overall screen height
Rahmenaussenmaß
hauteur total du cadre

passage height
lichte Durchgangshöhe
hauteur de passage



B - B

B - B



Surface treatment	Material	Scale		
Tolerance	Mass weight kg	Part No.	Date	Name
Type	EM/EMF-EL-SF	EM/EMF-EL-SF	25.11.2020	Juriss
Proprietary rights apply in accordance with GD 1616 Description: -Profilsystem G30- 1-flügelig -Profile system G30- 1 door leaf		Name: Replace by: Replace by:	Level: Disposer: Date: Name:	Drawing No: A-9902180-4 Sheet: 1